

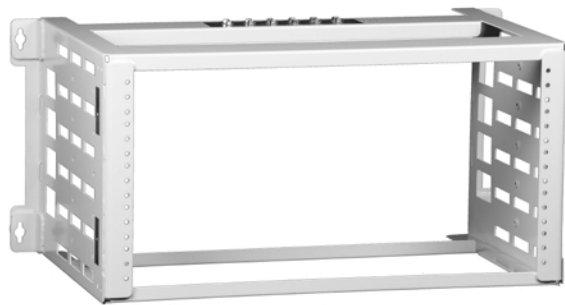


# OnSite™ Wall Racks

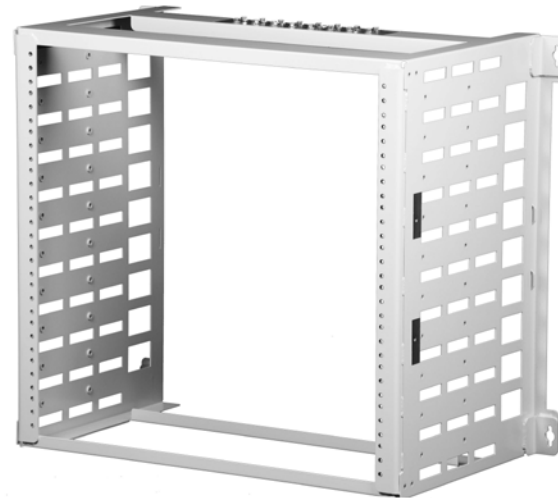
Compact, full-featured wall mountings  
for your rack-based equipment

# Rack & stack on a wall or backboard

- Easy installation for up to 5 or 10 rack units
- Reduces wall-space requirements 80%, compared to flat mounting of equipment
- Manages copper and fiber cables



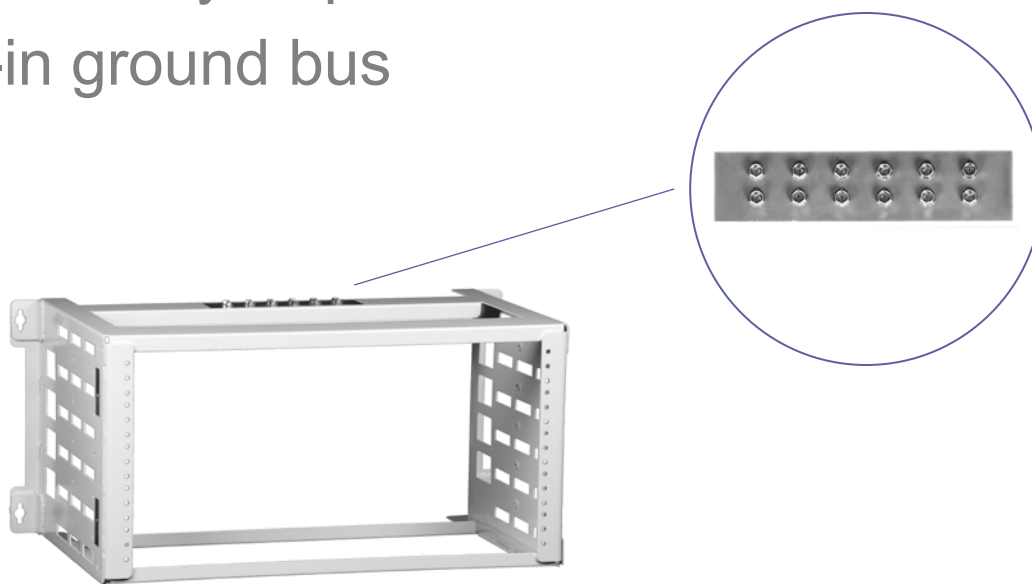
Model WR-5UI2



Model WR-10U

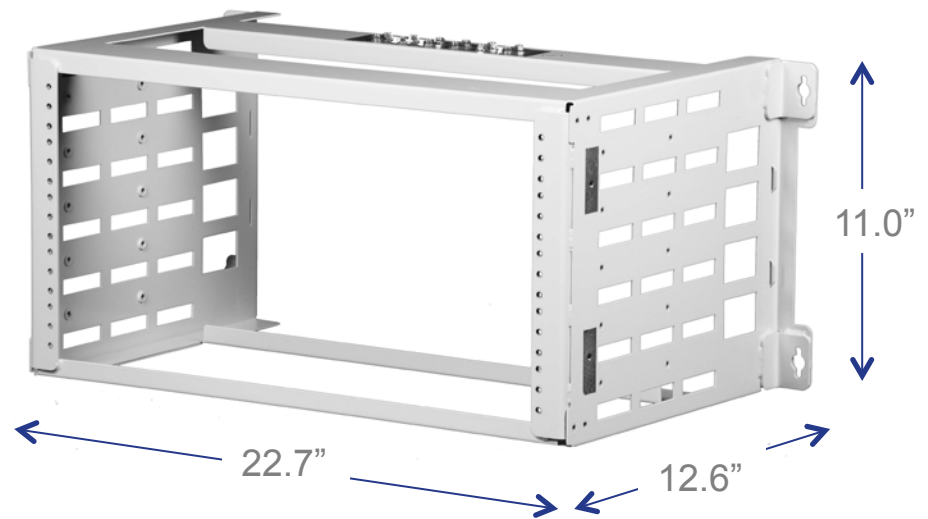
# Carrier-class construction

- NEBS compliant, including Zone 4 earthquake
- No assembly required
- Built-in ground bus



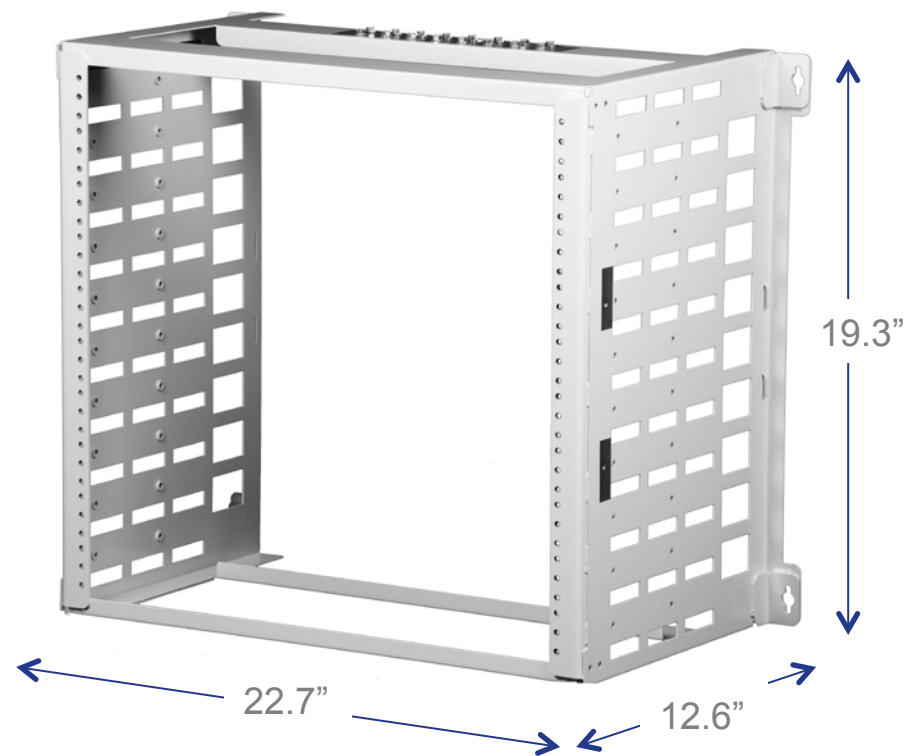
# OnSite Model WR-5UI2

- Supports up to five rack units (5U)
- Six dual ground points
- Weight: ~ 10 pounds



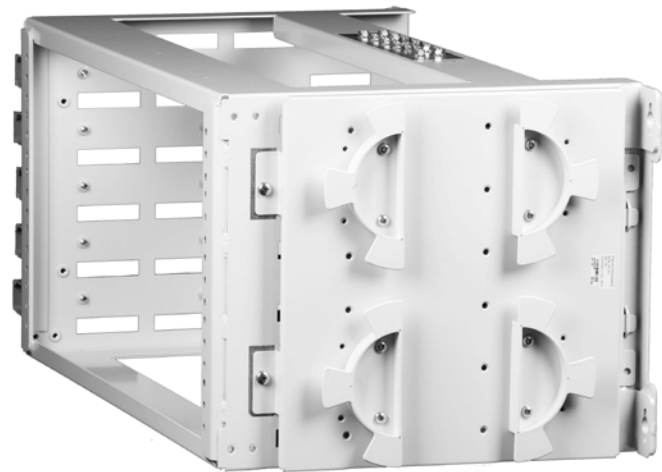
# OnSite Model WR-10U

- Supports up to ten rack units (10U)
- Eight dual ground points
- Weight: ~ 14 pounds



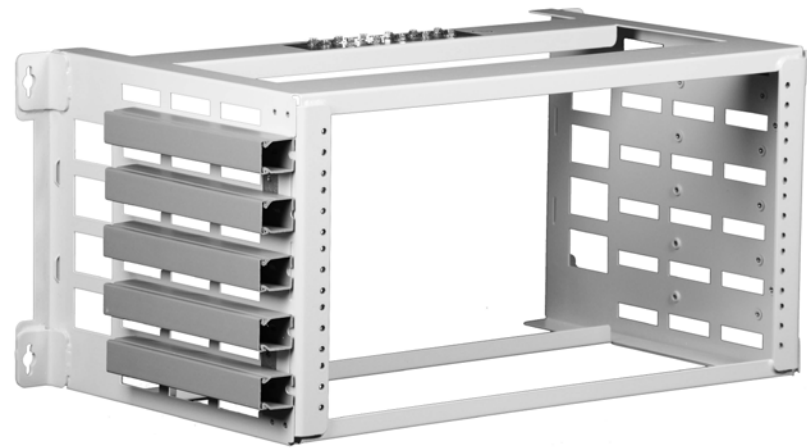
# Optional take-up reels

- Conveniently manages excess cable slack
- Plate mounts to either side of WR-5UI2 or WR-10U
- Model # SPL-4H: Side plate with two split reels

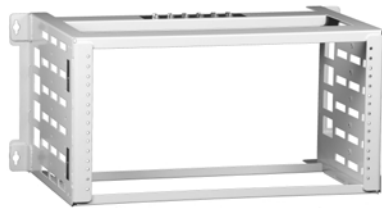


# Optional cable guides

- Sliding covers keep cables neatly in place
- Attach to either side of WR-5UI2 or WR-10U
- Model # CG-5: Pack of five cable guides



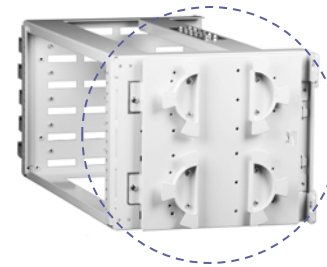
# OnSite™ Wall Racks and accessories



**WR-5UI2**  
5U wall rack



**WR-10U**  
5U wall rack



**SPL-4H**  
Side plate w/slack reels



**CG-5**  
Pack of 5 cable guides



**DRNG-U-1**  
Universal D-ring

*Ethernet and fiber  
jumper cables  
are also available!*