

Modular Interface Panel

Model MIP-4 Issue 2

1. OVERVIEW	1
2. APPLICATIONS	1
3. DESCRIPTION	1
4. INSTALLATION	1
5. TESTING AND TROUBLESHOOTING.....	2
6. CUSTOMER SERVICE.....	2
7. WARRANTY & REPAIRS	2
8. SPECIFICATIONS	2

1. OVERVIEW

The MIP-4 Modular Interface Panel is a 4-port coupler module that fits into an Engenuity SIPP chassis. The unit provides convenient connectivity for fiber services or copper services that do not require surge protection.

- Accommodates up to four snap-in couplers
- Configurable for a variety of fiber or copper services
- Easy installation in an Engenuity SIPP chassis
- Also available as Model MIP-4SCI2 with four (4) pre-installed SC couplers

Document Status

This is the first publication of this document (Rev 000).

2. APPLICATIONS

The MIP-4 can be installed in conjunction with Service Protection Modules in an Engenuity SIPP chassis, allowing services that do not require surge protection to be connected through the same chassis as protected services. This is especially efficient when handing off a combination of fiber and copper services over outside plant facilities.

WARNING

To avoid possible electric shock or personal injury, do not install, troubleshoot, or conduct maintenance on the SIPP chassis or associated modules during lightning or thunderstorm activity.

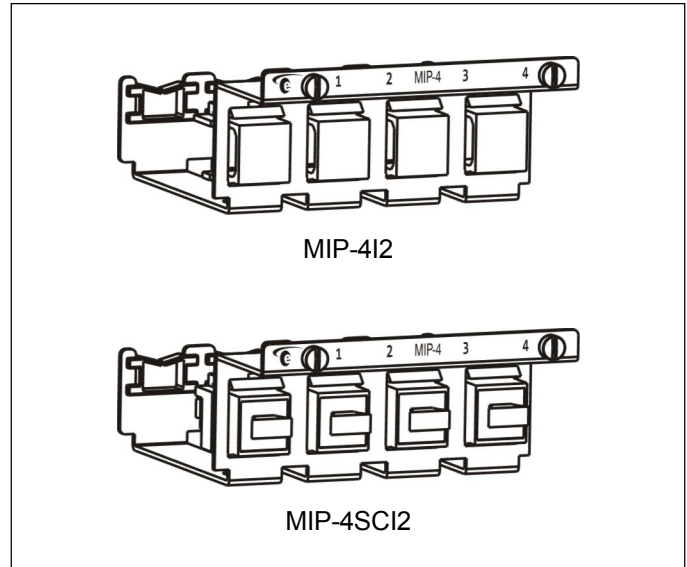


Figure 1. MIP-4 Issue 2 models

3. DESCRIPTION

The MIP-4 consists of a painted metal base with four openings for snap-in Keystone couplers on its front panel. The rear of the unit includes four saddles to guide cables that connect to the backsides of the couplers.

4. INSTALLATION

Couplers

The MIP-4 module accepts snap-in Keystone couplers for fiber, coaxial, or twisted pair terminations that do not require protection.

NOTE: Couplers are installed or removed from the rear of the MIP-4 with the module removed from the chassis.

Each coupler is held in place by angled tabs along the top and bottom of the coupler body. To install a coupler, tilt it back slightly while inserting it through the rectangular opening, until the lower tab clears the front of the panel. Then apply pressure to the upper tab and tilt the coupler body forward until it snaps in place.

To remove a coupler from the MIP-4, apply pressure to the upper tab while tilting the coupler body backward. After the upper tab is freed, the coupler can be lifted and removed from the opening.

MIP-4 Installation/Connection

The MIP-4 occupies four slots in a SIPP chassis. Before installing the MIP-4, feed network cables through the chassis, from back to front, and connect them to the rear of the couplers. Then insert the MIP-4 through the front the chassis and slide it backward slowly through the card guides. After fully seating the module, tighten both screws on the front of the unit to ensure proper grounding of its front panel to the chassis. Cable connections can then be made to the front of the installed couplers.

MIP-4 Removal

To remove the MIP-4 from a SIPP chassis, first disconnect cables from the front of each coupler. Then loosen the screws on the module's front panel and slowly slide the unit forward out of the chassis, being careful to guide any cables connected to the rear. Cables can then be disconnected from the rear of each coupler.

5. TESTING AND TROUBLESHOOTING

A test set can be connected to the front or rear jacks of the couplers to isolate and verify performance of attached cables and equipment. To test toward far end equipment, connect test equipment to rear of the coupler. To test toward network side equipment, connect to the front of the coupler.

6. CUSTOMER SERVICE

If technical or customer assistance is required, please contact Engenuity at the following address or phone number:

Engenuity Communications
3545 Stern Avenue
St. Charles, Illinois 60174
Toll Free: 1-800-980-3266
www.engenuitycom.com

7. WARRANTY & REPAIRS

Warranty

Engenuity warrants this product for ten (10) years from date of purchase. Any attempt to repair or modify the equipment by anyone other than an authorized Engenuity representative will void the warranty.

This limited warranty does not cover any losses or damages resulting from shipment to or from the customer, or from improper installation, abuse, modifications, or unauthorized repair by other than Engenuity personnel.

Repair and Return

Engenuity equipment will be repaired or replaced without cost during the warranty period if the product is defective for any reason other than abuse, improper use, or improper installation. Before returning defective equipment, first request a Return Material Authorization (RMA) number from Engenuity. Once an RMA number is obtained, return the unit, freight prepaid, along with a brief description of the problem, to:

Engenuity Communications
3545 Stern Avenue
St. Charles, Illinois 60174
ATTN: Repair & Return Dept.

Replacements will be shipped in the fastest manner consistent with the urgency of the situation. Repair or replacement of faulty equipment beyond the warranty period is available for a nominal charge. Contact Engenuity for details.

8. SPECIFICATIONS

CHASSIS SLOTS	DIMENSIONS	WEIGHT
4	1.7" H x 3.6"W x 3.9"D	~ 3 ounces

MODEL	DESCRIPTION
MIP-4I2	Coupler panel with (4) blank inserts installed
MIP-4SCI2	Coupler panel with (4) SC fiber couplers installed

A variety of individual couplers are available from Engenuity. Please contact a sales associate for details.