

SIPP Cable Management Bar Model CMB-1

1. GENERAL DESCRIPTION

The CMB-1 Cable Management Bar (Figure 1) provides support for cables connected to the front of an Enginuity Service Interface Protection Panel (SIPP). The accessory mounts to either a SIPP-1800 or SIPP-3600 chassis in a 19" or 23" wide rack.

Document Status

Whenever this document is updated, the reason will be stated in this paragraph.

2. APPLICATION

A series of holes along the length of the CMB-1 allows cables to be secured to the bar with user-provided tie-down materials (typically nylon cable ties or string). The bar extends from the front of the chassis, providing space for SIPP modules to be inserted into or removed from the chassis.

3. INSTALLATION

- a) Align the threaded hole on each of the CMB-1 mounting ears with the hole on the SIPP chassis bracket. The SIPP mounting brackets must be mounted flush to the face of the chassis. Examples are shown in Figures 2 and 3.
- b) Insert the included machine screws (8-32 x 3/8", flathead) from the rear of the SIPP mounting brackets, through the holes in the brackets and into the threaded holes of the CMB-1. Fasten securely.

NOTE: When installing in a 19" rack, the CMB-1 must be fastened to the SIPP chassis before the chassis is attached to the rack.

4. CUSTOMER SERVICE

For technical or customer assistance, please contact Enginuity at the following address or phone number:

Enginuity Communications
3545 Stern Avenue
St. Charles, Illinois 60174
Toll Free: 1-800-980-3266
Voice: (630) 444-0778
www.enginuitycom.com

5. SPECIFICATIONS

Dimensions: 1.75"H x 19.25"W x 5.0"D

Weight: 7 oz

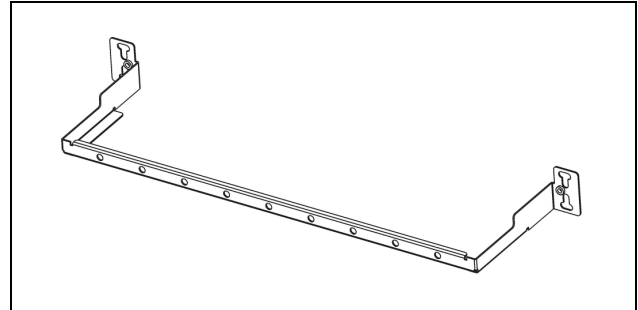


Figure 1. SIPP Cable Management Bar

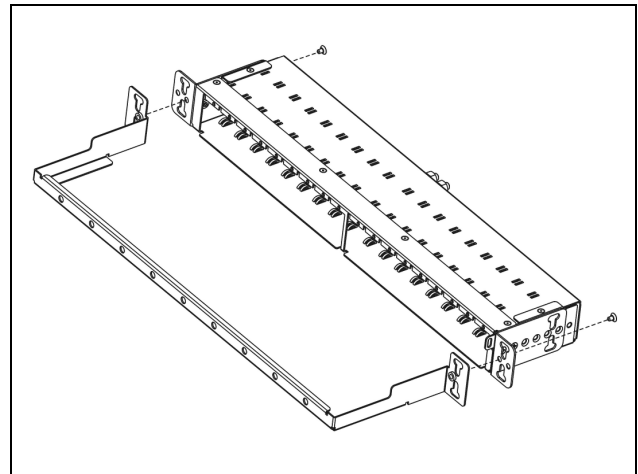


Figure 2. CMB-1 with SIPP-1800, 19" rack

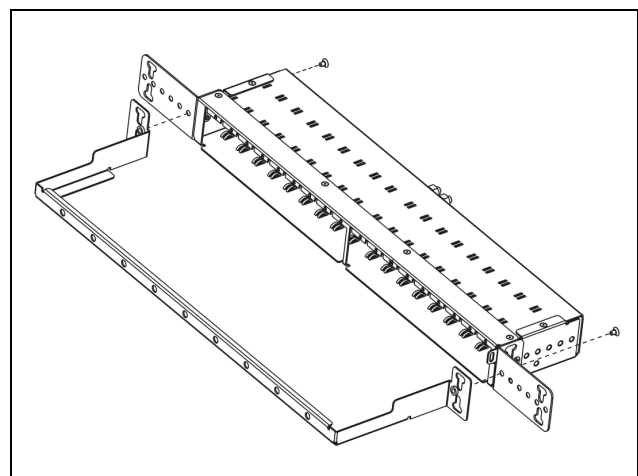


Figure 3. CMB-1 with SIPP-1800, 23" rack